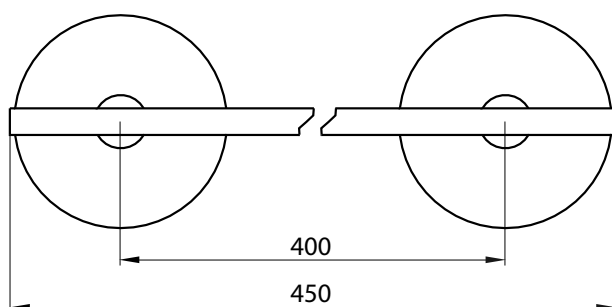
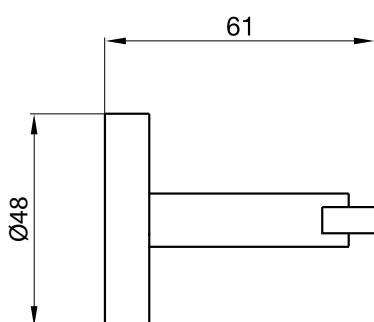


Detalle Técnico	
Material	Metal cromado
Peso	0,61 kg
Volumen	0,003 m3



**COMPANY WITH
QUALITY SYSTEM
CERTIFIED BY DNV
= ISO 9001:2008 =**

